

E-POWER

HSQD SERIES Square Drive Hydraulic Torque Wrenches, 700 bar



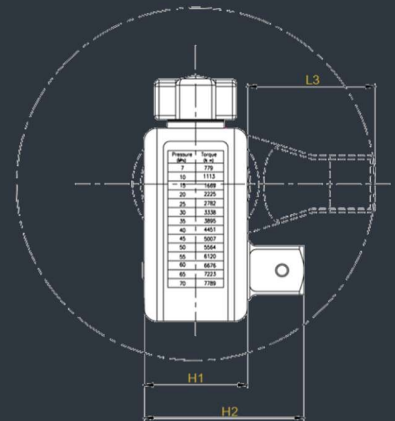
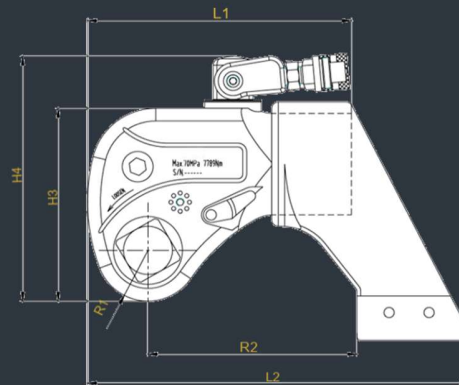
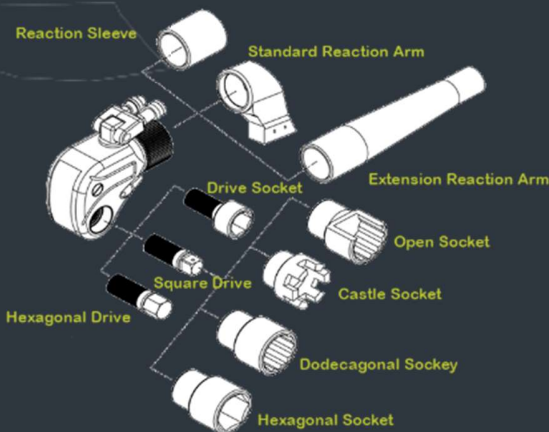
Self-locking
Quick Release 1/4" Coupler



Carry Box

FEATURES

- ❖ 10 standard models, with torque values ranging from 185 Nm to 49627 Nm. Available up to 150000 Nm torque values upon request.
- ❖ Al-Ti alloy material, integrated design.
- ❖ Low weight, compact and high strength design.
- ❖ Excellent torsional strength.
- ❖ 360° x 180° swivel joint prevents hoses entangling.
- ❖ 360° push-to-lock quick release lever reaction arm.
- ❖ Push-button quick release reversible square drive.
- ❖ Self-locking quick release 1/4" coupler.
- ❖ Consistent torque output accuracy of ±3%.
- ❖ Fully enclosed drive mechanism for operator safety.
- ❖ Reaction release pawl to prevent ratchet reversal.
- ❖ Other drives and reaction accessories available and can be customized upon request.
- ❖ Includes tool carrying case.



Wrench Model	HSQD1	HSQD2	HSQD3	HSQD5	HSQD8	HSQD10	HSQD15	HSQD20	HSQD25	HSQD35
Torque (Nm min.)	185	302	436	779	1072	1553	2050	2617	3493	4963
Torque (Nm max.)	1852	3017	4364	7789	10715	15528	20501	26171	34928	49627
Weight (kg)	2.7	3.6	4.8	8.8	12.0	14.5	19.0	25.0	37.5	44.0
L1 (mm)	138	149	168	207	226	250	281	304	331	390
L2 (mm)	194	213	244	296	326	366	402	442	483	558
L3 (mm)	63	70	79	99	110	120	132	146	158	177
H1 (mm)	50	60	70	80	90	100	112	120	138	150
H2 (mm)	73	87	99	124	133	146	165	183	202	219
H3 (mm)	96	111	125	152	170	186	208	226	250	282
H4 (mm)	140	157	165	193	211	227	249	267	291	323
R1 (mm)	26	29	34	40	46	50	56	60	66	77
R2 (mm)	107	112	132	162	178	199	218	240	260	298
Square Drive	3/4"	1"	1"	1-1/2"	1-1/2"	1-1/2"	2"	2-1/2"	2-1/2"	2-1/2"

EURO POWER HYDRAULICS PTE LTD

1 Tuas South Avenue 6 #01-11, THE WESTCOM, Singapore 637021

Tel: +65-6266 2011 • Fax: +65-6266 2028 • Email: sales@europower700.com •

WWW.EUROPOWER700.COM

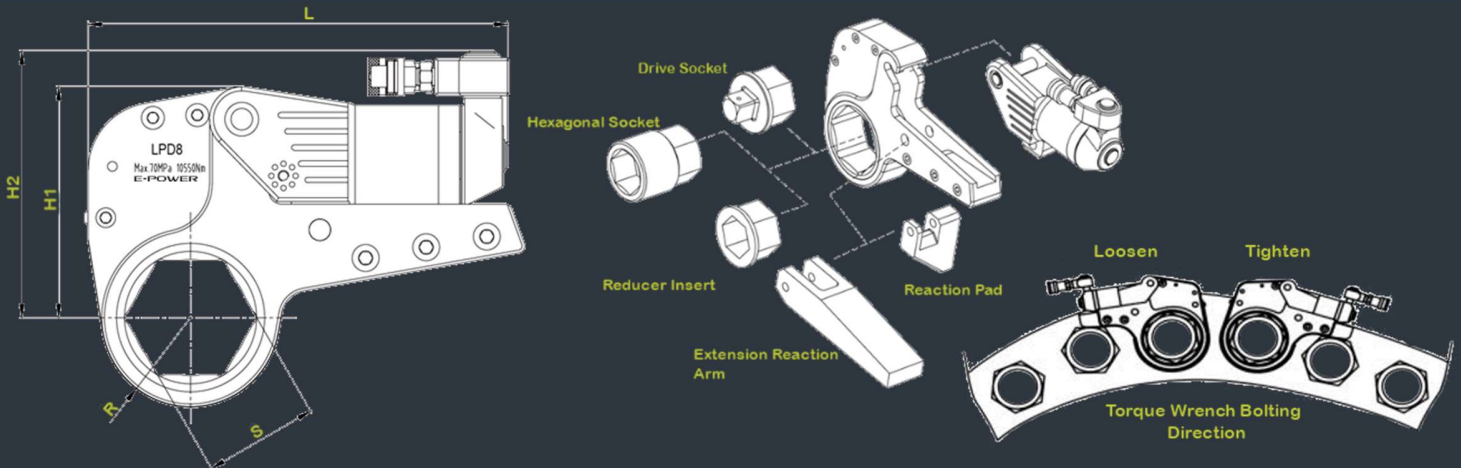
E-POWER

HLPD SERIES Low Profile Hydraulic Torque Wrenches, 700 bar



FEATURES

- ❖ 7 standard models, with torque values ranging from 345 Nm to 42311 Nm. Available up to 90000 Nm torque values upon request.
 - ❖ One hydraulic power unit can interchange with different ratchet link sizes (available in 'metric' & 'imperial' hex sizes), with single pin for quick link changeover without any other tools necessary.
 - ❖ Hydraulic power unit body is made of Al-Ti alloy material and its hex link is made of steel alloy material, basing on integrated design.
 - ❖ Low weight, compact and high strength design.
 - ❖ Excellent torsional strength.
 - ❖ Includes tool carrying case.
 - ❖ Ratchet link and its supporting point are coaxial, well structured for long service life.
 - ❖ 360° x 180° swivel joint prevents hoses entangling.
 - ❖ Self-locking quick release 1/4" coupler.
 - ❖ Consistent torque output accuracy of ±3%.
 - ❖ Fully enclosed drive mechanism for operator safety.
 - ❖ Simple design with small nose radius.
 - ❖ Ratchet pawl design prevents ratchet reversing.
 - ❖ Other drives, hex reducers, reaction accessories available and can be customized upon request.
- *Ratchet Hex Link and Drive are sold separately**



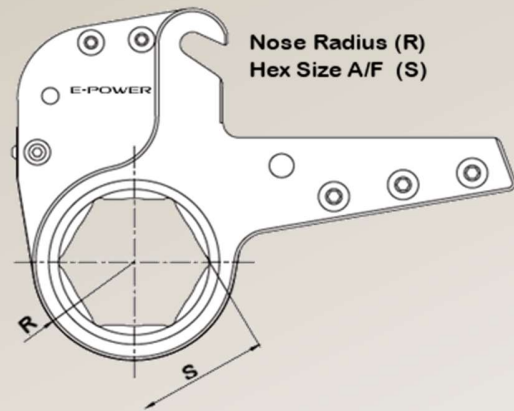
Selection Chart – Specifications (Low Profile Wrench - Hydraulic Power Units)

Wrench Model	HLPD3	HLPD4	HLPD8	HLPD14	HLPD18	HLPD20	HLPD30
Torque (Nm min.)	345	546	1055	1848	2481	2909	4231
Torque (Nm max.)	3446	5458	10550	18484	24814	29089	42311
Hex A/F Range (S)	36-60	46-80	70-105	80-115	85-120	90-130	95-145
Hyd Unit Wt. (kg)	0.8	1.9	4.2	6.8	8.1	10.5	12.7
Link Wt. (kg)	1.7	3.6	7.6	12.2	19.3	22.3	32.3
Total Weight (kg)	2.5	5.5	11.8	19	27.4	32.8	45
L (mm)	218	266	324	382	404	427	479
H1 (mm)	118	139	171	205	229	240	268
H2 (mm)	156	167	198	231	255	265	289
W1 (mm)	32	42	53	64	68	70	85
W2 (mm)	50	66	83	99	105	110	132
R (mm)	31-46	42-62	58-78	67-87	73-93	77-102	83-128

HLPD SERIES

Low Profile Hydraulic Torque Wrenches, 700 bar

E-POWER



*Ratchet Hex Link and Drive are sold separately

Selection Chart – Specifications (Low Profile Wrench - Ratchet Hex Links)

Wrench Model	Link Model	Bolt Size	Hex A/F (S)	Radius (R)	Wrench Model	Link Model	Bolt Size	Hex A/F (S)	Radius (R)
			(mm)	(mm)				(mm)	(mm)
HLPD3	HLPD3-36mm	M24	36	31	HLPD18	HLPD18-85mm	M56	85	73
	HLPD3-41mm	M27	41	34		HLPD18-90mm	M60	90	75
	HLPD3-46mm	M30	46	37		HLPD18-95mm	M64	95	77
	HLPD3-50mm	M33	50	40		HLPD18-100mm	M68	100	77
	HLPD3-55mm	M36	55	43		HLPD18-105mm	M72	105	83
	HLPD3-60mm	M39	60	46		HLPD18-110mm	M76	110	83
HLPD4	HLPD4-46mm	M30	46	42	HLPD18-115mm	M80	115	88	
	HLPD4-50mm	M33	50	44	HLPD18-120mm	M85	120	93	
	HLPD4-55mm	M36	55	46	HLPD20	HLPD20-90mm	M60	90	77
	HLPD4-60mm	M39	60	50		HLPD20-95mm	M64	95	80
	HLPD4-65mm	M42	65	53		HLPD20-100mm	M68	100	80
	HLPD4-70mm	M45	70	56		HLPD20-105mm	M72	105	85
HLPD4-75mm	M48	75	59	HLPD20-110mm		M76	110	85	
HLPD4-80mm	M52	80	62	HLPD20-115mm		M80	115	90	
HLPD8	HLPD8-70mm	M45	70	58	HLPD20-120mm	M85	120	95	
	HLPD8-75mm	M48	75	60	HLPD20-130mm	M90	130	102	
	HLPD8-80mm	M52	80	63	HLPD30	HLPD30-95mm	M64	95	83
	HLPD8-85mm	M56	85	65		HLPD30-100mm	M68	100	83
	HLPD8-90mm	M60	90	68		HLPD30-105mm	M72	105	89
	HLPD8-95mm	M64	95	71		HLPD30-110mm	M76	110	89
HLPD8-100mm	M68	100	75	HLPD30-115mm		M80	115	94	
HLPD8-105mm	M72	105	78	HLPD30-120mm		M85	120	98	
HLPD14	HLPD14-80mm	M52	80	67	HLPD30-130mm	M90	130	104	
	HLPD14-85mm	M56	85	69	HLPD30-145mm	M100	145	114	
	HLPD14-90mm	M60	90	72	HLPD30-150mm	M105	150	116	
	HLPD14-95mm	M64	95	76	HLPD30-155mm	M110	155	116	
	HLPD14-100mm	M68	100	78	HLPD30-165mm	M115	165	128	
	HLPD14-105mm	M72	105	81					
HLPD14-110mm	M76	110	85						
HLPD14-115mm	M80	115	87						

• Links Hex A/F with 'Imperial Inch Sizes' are available upon request.

EURO POWER HYDRAULICS PTE LTD

1 Tuas South Avenue 6 #01-11, THE WESTCOM, Singapore 637021

Tel: +65-6266 2011 • Fax: +65-6266 2028 • Email: sales@europower700.com •

WWW.EUROPOWER700.COM

E-POWER

TORQUE WRENCH PUMP (ELECTRIC)

Hydraulic Torque Pumps, 700 bar (70 MPa/10,000 psi)



Model: **HTWE-304-4**
Electric-Hydraulic Torque Pump.
3-stage flow rate design.



Model: **HTWE-204-4**
Electric-Hydraulic Torque Pump.
2-stage flow rate design.



Model: **HTWE-T304-4**
Electric-Hydraulic Torque Twin Pump.
Dual motor for higher flow & efficiency.
3-stage flow rate design.

*Illustrated pictures show single-tool manifold
(Standard supplies are 4-tool manifold)*

FEATURES

- ❖ Highly efficient 2- or 3-speed flow rates design provides fast speed at light load and low speed at heavy load. Starts with load.
- ❖ Provides precise bolt tightening.
- ❖ 220V/50Hz/Single-phase 1.1 kW TEFC brushless motor, easy maintenance and long operational life.
- ❖ Class IP54 enclosure protection.
- ❖ Ai-Ti alloy pump body & oil tank, lightweight and durable with zero leakage.
- ❖ 4-Tool manifold is standard supplies, enable operation up to 4 torque wrenches.
- ❖ Ø100mm pressure gauge (psi / MPa scale).
- ❖ Adjustable pressure regulator.
- ❖ 5m hand remote pendant (24VAC).
- ❖ Oil cooling radiator fan starts automatically allowing operator to work long hours.
- ❖ Embedded oil level gauge.
- ❖ Roll frame protects pump and easy handling.
- ❖ **Each pump supplied with one length of 5m (15 ft.) twin-line hydraulic hose c/w 1/4" couplers.**

Pump Model	Output Port (4-Tool Manifold)	*Electric Motor Power	Pressure (bar)			Flow Rate (litre/min)			Reservoir Capacity (litres)	Overall Dimension (mm) L x B x H	Weight w/o oil kg
			High	Med.	Low	High	Med.	Low			
HTWE-204-4	8 x 1/4" NPT	1.1kW, 220V	700	---	60	0.8	---	6.0	8	394 x 300 x 420	28
HTWE-304-4	8 x 1/4" NPT	1.1kW, 220V	700	320	60	0.8	1.6	8.0	8	394 x 300 x 420	26
HTWE-T304-4	8 x 1/4" NPT	2 x 1.1kW, 220V	700	320	60	1.6	3.2	15.0	14	550 x 400 x 570	61

*220V/50Hz/Single-phase

EURO POWER HYDRAULICS PTE LTD

1 Tuas South Avenue 6 #01-11, THE WESTCOM, Singapore 637021

Tel: +65-6266 2011 • Fax: +65-6266 2028 • Email: sales@europower700.com •

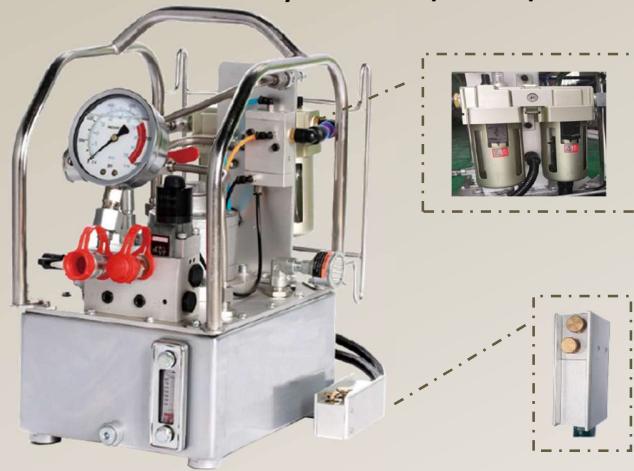
WWW.EUROPOWER700.COM

E-POWER

TORQUE WRENCH PUMP (PNEUMATIC)

Hydraulic Torque Pumps, 700 bar (70 MPa/10,000 psi)

Model: **HTWA-304-4**
Air-Hydraulic Torque Pump.



Fitted with Regulator-Filter-Lubricator (RFL).



5m hand remote pendant air push-button valve

Illustrated pictures show single-tool manifold (Standard supplies are 4-tool manifold)

FEATURES

- ❖ Highly efficient 3-speed flow rates design provides fast speed at light load and low speed at heavy load. Starts with load.
- ❖ Provides precise bolt tightening.
- ❖ Use compressed power source, safe to use in hazardous and explosive environment, no heat and allows long operating hours.
- ❖ High performance pneumatic reversing valve providing safe, reliable and stable performance.
- ❖ Ai-Ti alloy pump body & oil tank, lightweight and durable with zero leakage.
- ❖ 4-Tool manifold is standard supplies, enable operation of up to 4 torque wrenches.
- ❖ Ø100mm pressure gauge (psi / MPa scale).
- ❖ Adjustable pressure regulator.
- ❖ 5m hand remote pendant air push-button valve.
- ❖ Embedded oil level gauge.
- ❖ Roll frame protects pump and easy handling.
- ❖ Require 4 to 8 bar air input pressure.
- ❖ Fitted with Regulator-Filter-Lubricator (RFL).
- ❖ **Each pump supplied with one length of 5m (15 ft.) twin-line hydraulic hose c/w 1/4" couplers.**

Pump Model	Output Port (4-Tool Manifold)	Air Motor Power	Pressure (bar)			Flow Rate (litre/min)			Reservoir Capacity (litres)	Overall Dimension (mm)	Weight w/o oil
			High	Med.	Low	High	Med.	Low			
HTWA-304-4	8 x 1/4" NPT	1.3kW	700	320	60	0.8	1.6	8.0	8	428 x 281 x 448	21

- Air Input Pressure: 4 to 8 bar (58 to 116 psi)
- Air Consumption Rate: 134 m³/hr (2,233 lpm or 70 cfm)



Twin-line Hydraulic Hoses with 1/4" couplers (700 bar)

- HH5M – 5m (15 ft.) length
- HH9M – 9m (30 ft.) length
- HH15M – 15m (50 ft.) length



Quick Release 1/4" Couplers (700 bar)

- HCC-14 - Complete
- HCM-14 – Male Half
- HCF-14 – Female Half