



EFS-15H

*This general purpose spreading wedge actuated by an external hydraulic pump. (*Pump sold separately)*

WEIGHTS AND DIMENSIONS

Tool Weight = 7.0 kg
 Safety Block = 0.5 kg
 Gross Weight = 7.5 kg

Carry Case Dimensions:
 580 x 340 x 180 mm

FLANGE SPREADING WEDGE

RANGE OF APPLICATION

All flanges with a minimum access gap of 6 mm.

SPREADING FORCE

With 700bar (10,000psi) hydraulic pressure applied:
 • 155kN (15.5T)

*It is recommended that tools are used in pairs giving:
 2 x 15.5 Ton = 31 Ton*

STEPPED BLOCKS

Stepped Blocks can be used individually or in pairs to increase the maximum spreading distance of the EFS-15H to 81 mm

SPREADING DISTANCE

- 6.0mm – 31.0mm using only 1st step
- 6.0mm – 62.0mm using 4 steps (without stepped blocks)
- 31.0mm – 81.0mm using optional stepped blocks kit

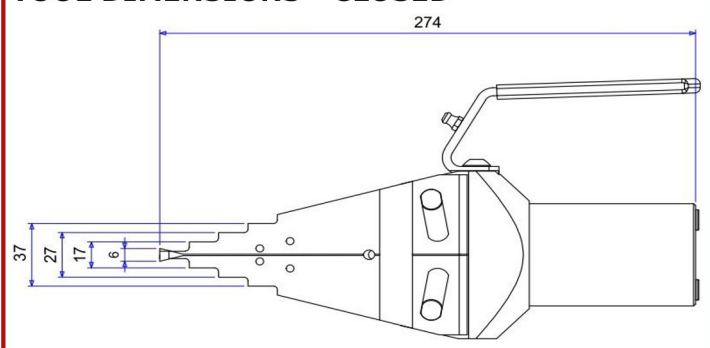
KIT COMPONENTS

- 1 x Wedgehead
- 1 x 700 bar (10 000 psi) Hydraulic Cylinder
- 1 x Safety Block
- 1 x Pair of Stepped Blocks
- 1 x Hex Key
- 1 x Carry Case

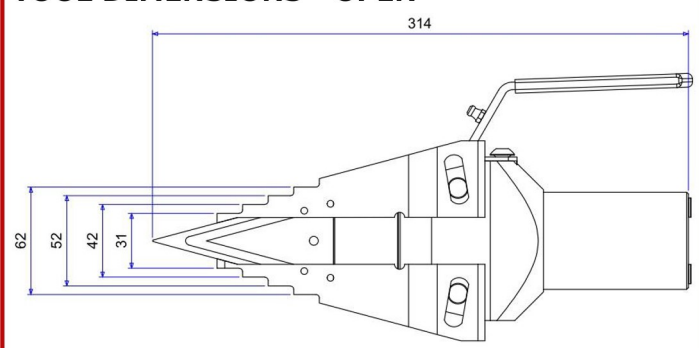


EFS-15H STANDARD KIT
 (*Pump sold separately, Carry-case Included)

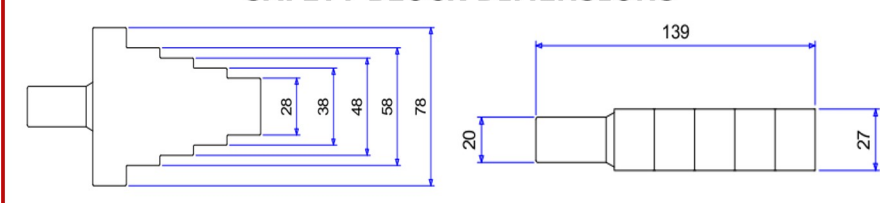
TOOL DIMENSIONS - CLOSED



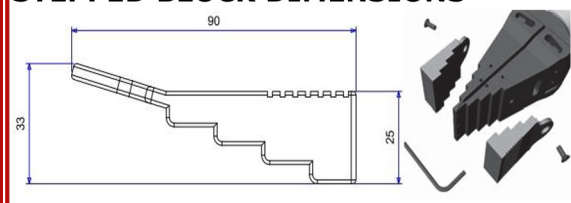
TOOL DIMENSIONS - OPEN



SAFETY BLOCK DIMENSIONS



STEPPED BLOCK DIMENSIONS





EFS-15HC

This general purpose self-contained spreading wedge is actuated by an integral hydraulic pump.

INTEGRAL HYDRAULIC FLANGE SPREADER

RANGE OF APPLICATION

All flanges with a minimum access gap of 6 mm.

SPREADING FORCE

With 700bar (10,000psi) hydraulic pressure applied:

- 145kN (14.5T)

*It is recommended that tools are used in pairs giving:
2 x 14.5 Ton = 29 Ton*

STEPPED BLOCKS

Stepped Blocks can be used individually or in pairs to increase the maximum spreading distance of the EFS-15HC to 81 mm

SPREADING DISTANCE

- 6.0mm – 31.0mm using only 1st step
- 6.0mm – 62.0mm using 4 steps (without stepped blocks)
- 31.0mm – 81.0mm using optional stepped blocks kit

WEIGHTS AND DIMENSIONS

Wedge with Integral Hydraulic Pump Cylinder: = 9.0 kg
Carry Case: = 2.5 kg
Gross Kit Weight: = 14 kg

Carry Case Dimensions:
580 x 340 x 180 mm

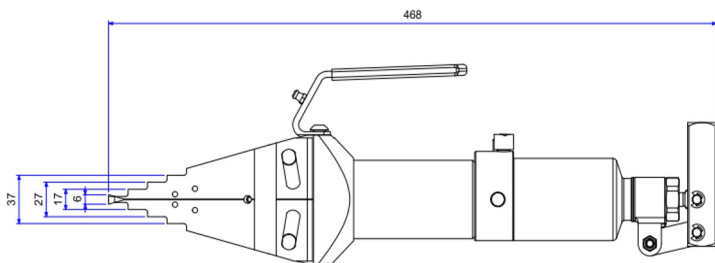
KIT COMPONENTS

- 1 x Wedgehead
- 1 x 700 bar (10 000 psi) Integral Hydraulic Pump
- 1 x Safety Block
- 1 x Pair of Stepped Blocks
- 1 x Hex Key
- 1 x Handle Rod
- 1 x Carry Case

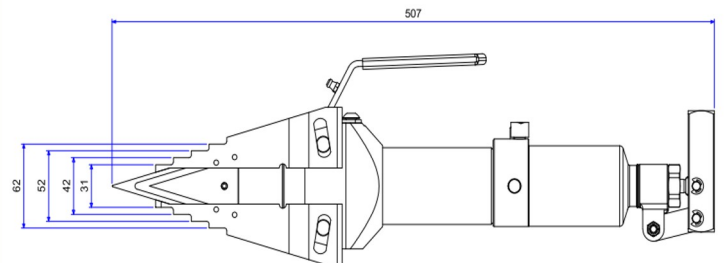


EFS-15HC STANDARD KIT
(*Carry-case Included)

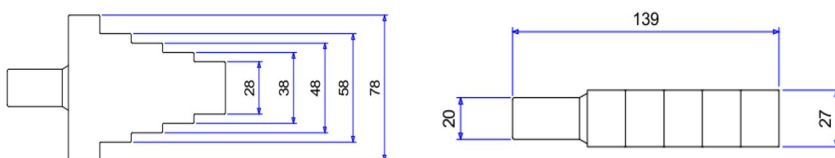
TOOL DIMENSIONS - CLOSED



TOOL DIMENSIONS - OPEN



SAFETY BLOCK DIMENSIONS



STEPPED BLOCK DIMENSIONS

